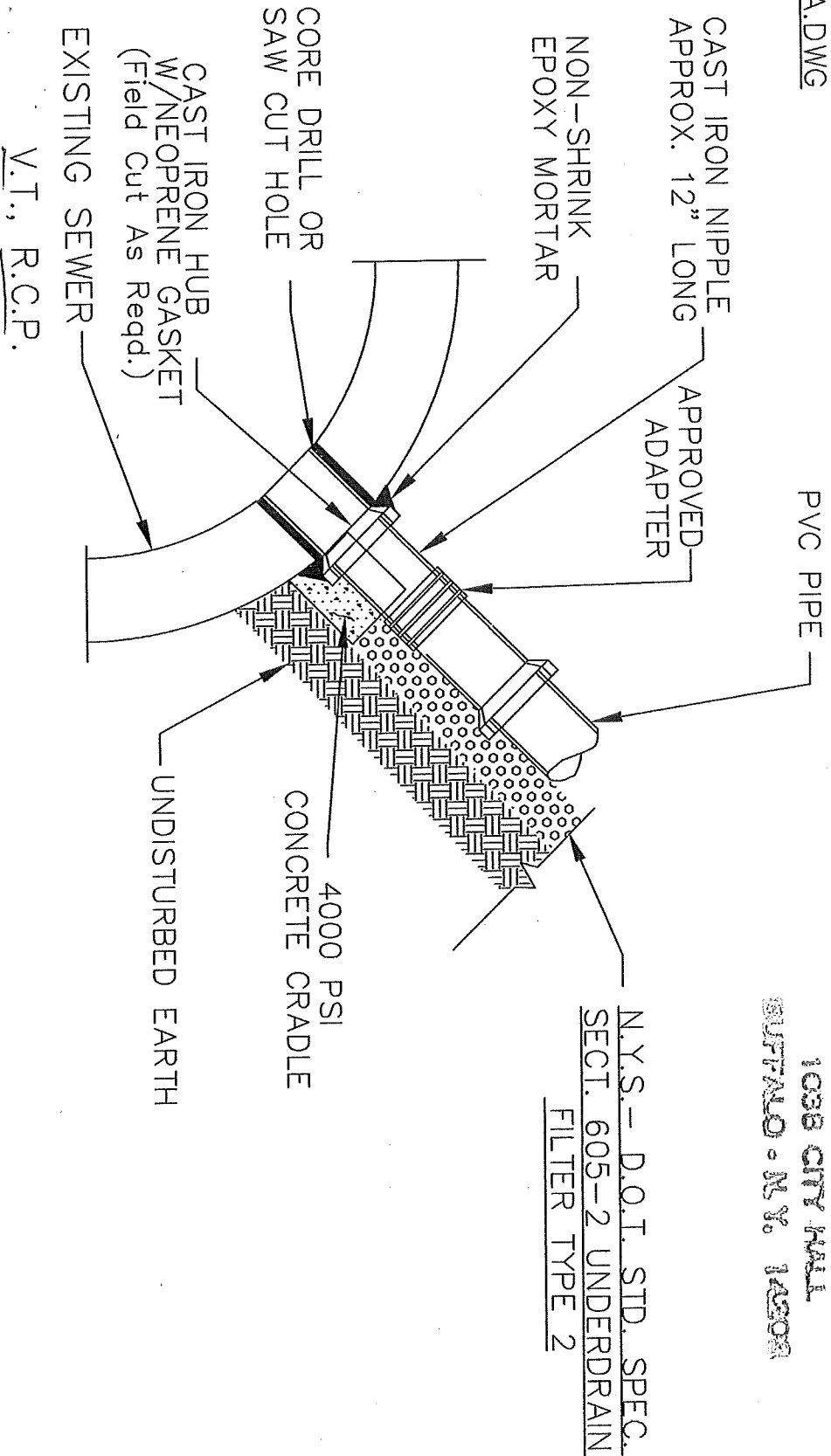


CONN2A.DWG

BUFFALO SEWER AUTHORITY
1038 CITY HALL
BUFFALO - N.Y. 14208



DETAIL
TYPICAL CONNECTION
TO EXISTING SEWER

N.T.S.